



**Cambridge Assessment International Education**  
Cambridge International General Certificate of Secondary Education

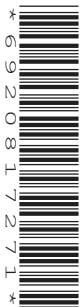
CANDIDATE  
NAME

CENTRE  
NUMBER

|  |  |  |  |  |
|--|--|--|--|--|
|  |  |  |  |  |
|--|--|--|--|--|

CANDIDATE  
NUMBER

|  |  |  |  |
|--|--|--|--|
|  |  |  |  |
|--|--|--|--|



**CO-ORDINATED SCIENCES**

**0654/52**

Paper 5 Practical Test

**May/June 2019**

**2 hours**

Candidates answer on the Question Paper.

Additional Materials: As listed in the Confidential Instructions.

**READ THESE INSTRUCTIONS FIRST**

Write your centre number, candidate number and name on all the work you hand in.

Write in dark blue or black pen.

You may use an HB pencil for any diagrams or graphs.

Do not use staples, paper clips, glue or correction fluid.

**DO NOT WRITE IN ANY BARCODES.**

Answer **all** questions.

Electronic calculators may be used.

You may lose marks if you do not show your working or if you do not use appropriate units.

Notes for Use in Qualitative Analysis for this paper are printed on page 20.

At the end of the examination, fasten all your work securely together.

The number of marks is given in brackets [ ] at the end of each question or part question.

This document consists of **16** printed pages and **4** blank pages.

- 1 You are going to test two solutions **A** and **B** for their nutrient content using iodine solution and biuret solution.

(a) To test each solution with iodine solution:

- use the dropping pipette to place 5 drops of solution **A** into a clean well in the spotting tile
- add 3 drops of iodine solution to the well containing solution **A**
- repeat this procedure with solution **B** using a clean well.

Record in the second row of Table 1.1 the colour observed in each well. [2]

(b) To test each solution with biuret solution:

- pour approximately 1 cm depth of solution **A** into a clean test-tube
- add an equal depth of biuret solution to the test-tube containing solution **A**
- repeat this procedure with solution **B** using a clean test-tube.

Record in the third row of Table 1.1, the colour observed in each test-tube. [2]

**Table 1.1**

| test solution   | observations      |                   |
|-----------------|-------------------|-------------------|
|                 | solution <b>A</b> | solution <b>B</b> |
| iodine solution |                   |                   |
| biuret solution |                   |                   |

(c) Use the results in Table 1.1 to state the nutrient content of each solution.

Solution **A** contains .....

Solution **B** contains .....

[2]

(d) A student tests a sample of vegetable oil for the presence of fat.

She dissolves the oil in ethanol.

State the next step in the procedure.

..... [1]

[Total: 7]



2 You are going to find the concentration of a sample of hydrochloric acid by reacting it with sodium hydroxide solution of concentration  $0.2 \text{ mol/dm}^3$ .

(a) (i) **Procedure**

- Use the large test-tube with a mark for  $20 \text{ cm}^3$  to place  $20 \text{ cm}^3$  of hydrochloric acid in a beaker.
- Add 5 drops of Universal Indicator solution into the beaker.
- Measure  $25 \text{ cm}^3$  of sodium hydroxide solution in a measuring cylinder.
- Using a dropping pipette slowly add sodium hydroxide solution from the measuring cylinder to the beaker containing hydrochloric acid and Universal Indicator, whilst stirring the mixture.
- Stop adding sodium hydroxide solution as soon as the Universal Indicator shows a neutral (or slightly alkaline) colour.
- Record in Table 2.1, to an appropriate accuracy, the volume  $V_R$  of sodium hydroxide solution **remaining** in the measuring cylinder for experiment 1. [2]

**Table 2.1**

| experiment | volume $V_R$ of sodium hydroxide solution remaining in the measuring cylinder/ $\text{cm}^3$ | volume $V$ of sodium hydroxide solution added to the beaker/ $\text{cm}^3$ |
|------------|--|--|
| 1          |  |  |
| 2          |  |  |
| 3          |  |  |

(ii) Repeat the procedure in (a)(i) twice and record in Table 2.1 the volumes  $V_R$  of sodium hydroxide solution **remaining** in the measuring cylinder for experiments 2 and 3. [1]

(b) (i) For each experiment calculate the volume,  $V$  of sodium hydroxide solution that has been added to the hydrochloric acid in the beaker using the equation shown.

$$V = 25.0 - V_R$$

Record the values of  $V$  in Table 2.1.

[1]

- (ii) Select the values of  $V$  that should be used in calculating the average volume of sodium hydroxide solution added to the beaker.

Explain your selection.

values of  $V$  selected .....

.....

explanation .....

.....

[2]

- (iii) Use the volumes you have selected in **(b)(ii)** to calculate the average volume  $V_A$  of sodium hydroxide solution added to the beaker to neutralise the hydrochloric acid.

$$V_A = \dots\dots\dots \text{cm}^3 \quad [1]$$

- (iv) Calculate the concentration  $C$  of the hydrochloric acid using the equation shown.

$$C = \frac{(\text{concentration of sodium hydroxide solution} \times V_A)}{\text{volume of hydrochloric acid used}}$$

$$= \frac{(0.2 \times V_A)}{20}$$

Give your answer to an appropriate number of significant figures.

$$C = \dots\dots\dots \text{mol/dm}^3 \quad [2]$$

- (c) Suggest one improvement to this experiment which would give a more accurate value of  $C$ .

.....

..... [1]

[Total: 10]  
[Turn over

3 You are going to measure the resistance of an unknown resistor **R**.

A circuit has been set up for you as shown in Fig. 3.1.

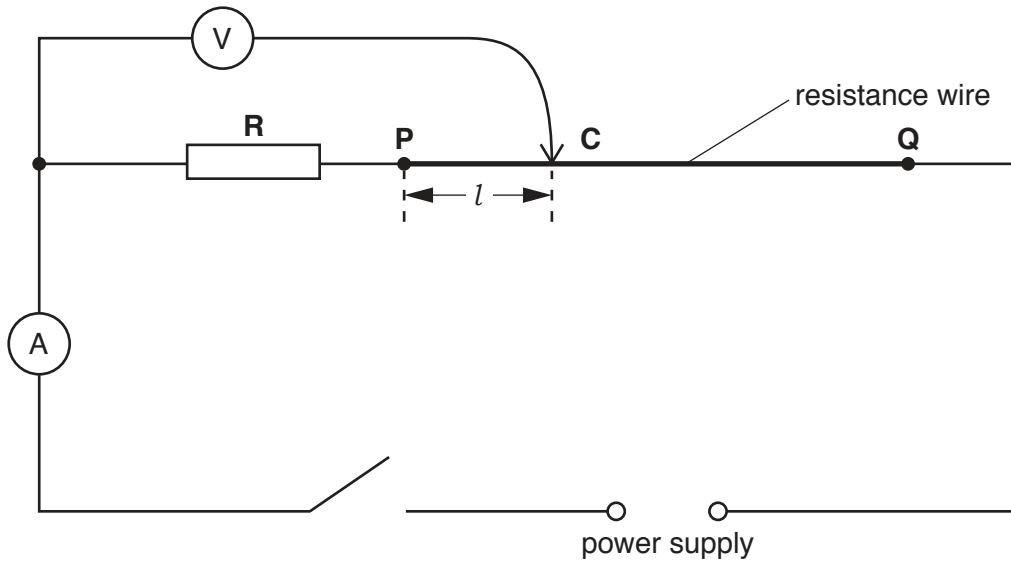


Fig. 3.1

(a) (i) **Procedure**

- Place the sliding contact **C** at a distance of  $l = 10.0$  cm from end **P** of the resistance wire.
- Close the switch.
- Measure and record in Table 3.1, the reading  $V$  on the voltmeter.
- Open the switch.

[1]

Table 3.1

| $l/\text{cm}$ | $V/V$ |
|---------------|-------|
| 10.0          |       |
| 30.0          |       |
| 50.0          |       |
| 70.0          |       |
| 90.0          |       |

(ii) Repeat the procedure in (a)(i) using values of  $l$  of 30.0 cm, 50.0 cm, 70.0 cm and 90.0 cm.

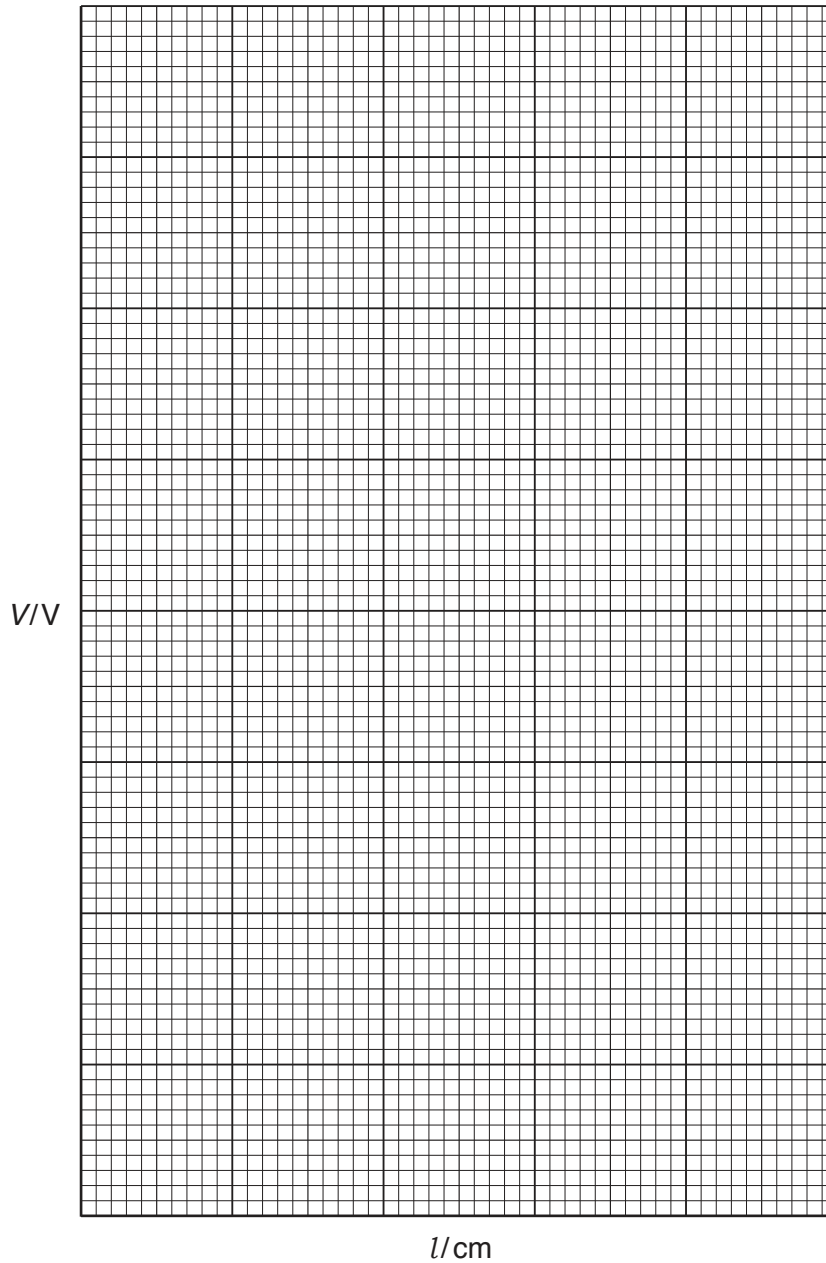
[1]

(iii) Close the switch.

Measure the current  $I$  in the circuit for  $l = 90.0$  cm.

$I = \dots\dots\dots$  A [1]

- (b) On the grid provided, plot a graph of  $V/V$  (vertical axis) against  $l/\text{cm}$ . Start both axes from the origin (0, 0). Draw the best-fit straight line.



[3]

- (c) Extend your line until it crosses the vertical axis. Measure the intercept  $Y$  that your line makes on the vertical axis.

$Y = \dots\dots\dots$  [1]

- (d) The resistance of the unknown resistor **R** is given by the equation shown.

$$\text{resistance} = \frac{V}{I}$$

*I* is the current that you measured in part (a)(iii).

Use this equation to calculate a value for the resistance of **R**.

resistance of **R** = .....  $\Omega$  [2]

- (e) Suggest one practical reason why, despite carrying out the experiment with care, your value for the resistance of **R** is only approximate.

.....

..... [1]

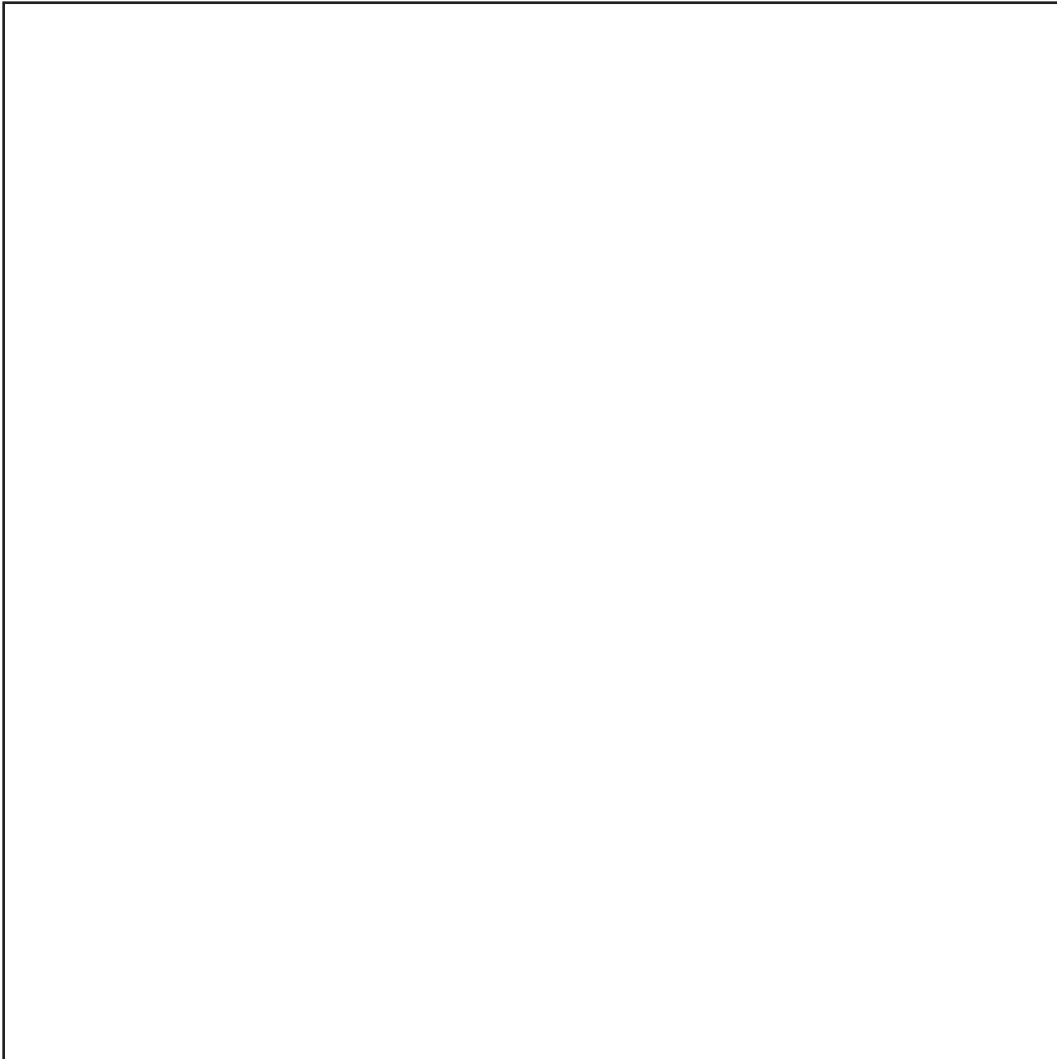
[Total: 10]





4 You are provided with a nut in its shell.

(a) In the box, make an enlarged detailed pencil drawing of the nut.



[2]

(b) (i) Draw a line on your drawing from one side of the nut to the other to represent the diameter of the nut.

Measure and record this diameter  $d_1$  in millimetres to the nearest millimetre.

$d_1 = \dots\dots\dots$  mm [1]

(ii) Use the string and ruler provided to measure the circumference of the nut in its shell.

Record this circumference  $C$  in millimetres to the nearest millimetre.

$C = \dots\dots\dots$  mm [1]

- (iii) Use your answer in (b)(ii) to calculate the diameter  $d_2$  of the nut using the equation shown.

$$d_2 = \frac{C}{3.14}$$

$$d_2 = \dots\dots\dots \text{mm} \quad [1]$$

- (iv) Use your values for  $d_1$  (drawing) and  $d_2$  (the actual nut) to calculate the magnification of your drawing.

$$\text{magnification} = \dots\dots\dots [1]$$

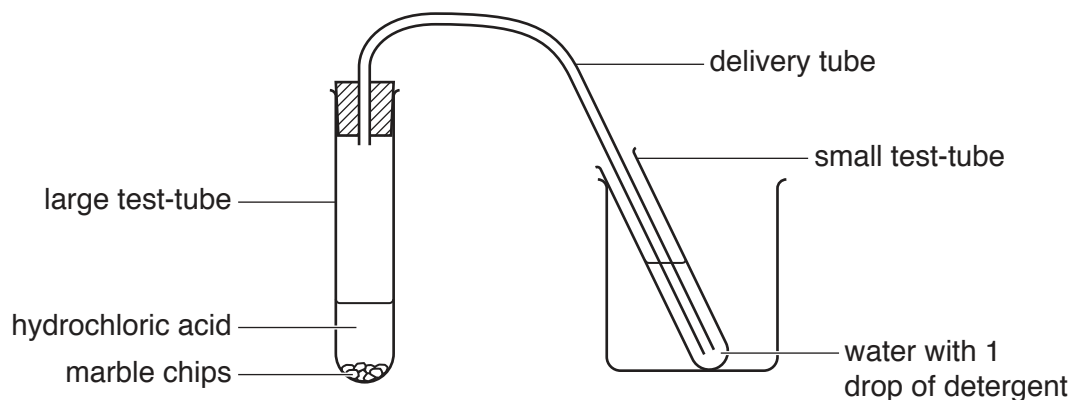
[Total: 6]

- 5 You are going to investigate how the concentration of hydrochloric acid affects its reaction with marble chips (calcium carbonate).

You are provided with hydrochloric acid which has a concentration of  $2.0 \text{ mol/dm}^3$ .

**(a) Procedure**

- Half fill the small test-tube with water and add one drop of detergent. Place this test-tube in the beaker.
- Place 5 marble chips into the large test-tube.
- Add  $10.0 \text{ cm}^3$  hydrochloric acid to the marble chips.
- Quickly connect the large test-tube to the test-tube containing water and detergent using a delivery tube as shown in Fig. 5.1.
- Immediately start the stopclock.
- Stop the stopclock when the bubbles of detergent reach the top of the small test-tube.



**Fig. 5.1**

- (i) Record in Table 5.1 the time taken in seconds to the nearest second for the bubbles to reach the top of the small test-tube. [1]

**Table 5.1**

| volume of hydrochloric acid/ $\text{cm}^3$ | volume of water/ $\text{cm}^3$ | concentration of hydrochloric acid/ $\text{mol per dm}^3$ | time/s |
|--|--------------------------------|---|--------|
| 10.0                                       | 0                              | 2.0   |        |
| 7.5  | 2.5                            | 1.5   |        |
| 5.0  | 5.0                            | 1.0   |        |

**(ii) Procedure**

- Discard the contents of the test-tubes into the waste beaker.
- Wash out the test-tubes.
- Place 7.5 cm<sup>3</sup> hydrochloric acid and 2.5 cm<sup>3</sup> water into a small beaker. Mix well.
- This makes 10.0 cm<sup>3</sup> of hydrochloric acid of concentration 1.5 mol/dm<sup>3</sup>.

These volumes are shown in Table 5.1.

Repeat the procedure in (a) using this more dilute acid.

Record the time in Table 5.1. [1]

**(iii) Procedure**

- Discard the contents of the test-tubes into the waste beaker.
- Wash out the test-tubes and the small beaker.
- Place 5.0 cm<sup>3</sup> hydrochloric acid and 5.0 cm<sup>3</sup> water into a test-tube. Mix well.

This makes 10.0 cm<sup>3</sup> of hydrochloric acid of concentration 1.0 mol/dm<sup>3</sup>.

Repeat the procedure in (a) using this more dilute acid.

Record the time in Table 5.1. [1]

- (iv)** State the volumes of hydrochloric acid and water required to make hydrochloric acid of concentration 0.5 mol/dm<sup>3</sup>.

**Do not make up this solution.**

volume of hydrochloric acid = ..... cm<sup>3</sup>

volume of water = ..... cm<sup>3</sup>  
[1]

- (b) (i)** Use your results in Table 5.1 to deduce the relationship between rate of reaction and concentration of hydrochloric acid for this reaction.

.....  
..... [1]

- (ii)** A student suggests that three different concentrations of hydrochloric acid is not enough to deduce the relationship between rate of reaction and concentration of hydrochloric acid.

Suggest why the student may be correct.

.....  
..... [1]

(iii) Suggest two further improvements for this procedure, other than testing more different concentrations of hydrochloric acid.

1 .....

.....

2 .....

.....

[2]

(c) Suggest an alternative method for measuring the rate of the reaction between hydrochloric acid and marble chips (calcium carbonate).

You must include what is timed in your answer.

.....

.....

.....

..... [2]

[Total: 10]



6 You are going to investigate the cooling rates of different volumes of hot water in a beaker.

(a) **Procedure**

- Pour 200 cm<sup>3</sup> of the hot water provided into the beaker.
- Place the thermometer into the water and when the reading stops rising, measure the temperature  $\theta_0$  of the hot water and start the stopwatch.

(i) Record, in the second column of Table 6.1, the temperature  $\theta_0$  at time  $t = 0$ . [1]

**Table 6.1**

| time $t/s$ | temperature of 200 cm <sup>3</sup> of water<br>$\theta/^\circ\text{C}$ | temperature of 100 cm <sup>3</sup> of water<br>$\theta/^\circ\text{C}$ |
|------------|--|--|
| 0          |  |  |
| 30         |  |  |
| 60         |  |  |
| 90         |  |  |
| 120        |  |  |
| 150        |  |  |
| 180        |  |  |

(ii) Measure the temperature of the hot water every 30 s for 180 s.

Record, in Table 6.1, your results to the nearest 0.5°C. [2]

(b) State **one** precaution that you took to ensure that the temperature readings were as accurate as possible.

.....  
 ..... [1]

(c) (i) Calculate the fall in temperature  $\theta_x$  of the hot water during the 180 s for which it cooled.

$$\theta_x = \dots\dots\dots^\circ\text{C} \quad [1]$$

(ii) Calculate the average rate in fall of temperature  $R_1$  of the hot water over the 180 s. Use your answer to (c)(i) and the equation shown.

$$R_1 = \frac{\theta_x}{180}$$

$$R_1 = \dots\dots\dots^\circ\text{C/s} \quad [1]$$



**(d) Procedure**

- Empty the hot water from the beaker.
- Repeat **(a)** using 100 cm<sup>3</sup> of the hot water provided instead of 200 cm<sup>3</sup>.
- Record, in the third column of Table 6.1, your results. [1]

**(e)** Calculate the average rate of fall in temperature  $R_2$  of the hot water over 180 seconds.

$R_2 = \dots\dots\dots$  °C/s [1]

**(f)** Write a conclusion stating how the volume of hot water affects its rate of cooling.

Justify your answer by referring to your results.

.....  
.....  
..... [2]

[Total: 10]





## NOTES FOR USE IN QUALITATIVE ANALYSIS

## Tests for anions

| <i>anion</i>                                    | <i>test</i>  | <i>test result</i>                     |
|---|--|--|
| carbonate ( $\text{CO}_3^{2-}$ )                | add dilute acid  | effervescence, carbon dioxide produced |
| chloride ( $\text{Cl}^-$ )<br>[in solution]     | acidify with dilute nitric acid, then add aqueous silver nitrate | white ppt.                             |
| bromide ( $\text{Br}^-$ )<br>[in solution]      | acidify with dilute nitric acid, then add aqueous silver nitrate | cream ppt.                             |
| nitrate ( $\text{NO}_3^-$ )<br>[in solution]    | add aqueous sodium hydroxide then aluminium foil; warm carefully | ammonia produced                       |
| sulfate ( $\text{SO}_4^{2-}$ )<br>[in solution] | acidify, then add aqueous barium nitrate                         | white ppt.                             |

## Tests for aqueous cations

| <i>cation</i>                  | <i>effect of aqueous sodium hydroxide</i>                  | <i>effect of aqueous ammonia</i>                                |
|--------------------------------|--|---|
| ammonium ( $\text{NH}_4^+$ )   | ammonia produced on warming                                | –   |
| calcium ( $\text{Ca}^{2+}$ )   | white ppt., insoluble in excess                            | no ppt., or very slight white ppt.                              |
| copper ( $\text{Cu}^{2+}$ )    | light blue ppt., insoluble in excess                       | light blue ppt., soluble in excess, giving a dark blue solution |
| iron(II) ( $\text{Fe}^{2+}$ )  | green ppt., insoluble in excess                            | green ppt., insoluble in excess                                 |
| iron(III) ( $\text{Fe}^{3+}$ ) | red-brown ppt., insoluble in excess                        | red-brown ppt., insoluble in excess                             |
| zinc ( $\text{Zn}^{2+}$ )      | white ppt., soluble in excess giving a colourless solution | white ppt., soluble in excess, giving a colourless solution     |

## Tests for gases

| <i>gas</i>                       | <i>test and test result</i>       |
|----------------------------------|-----------------------------------|
| ammonia ( $\text{NH}_3$ )        | turns damp, red litmus paper blue |
| carbon dioxide ( $\text{CO}_2$ ) | turns limewater milky             |
| chlorine ( $\text{Cl}_2$ )       | bleaches damp litmus paper        |
| hydrogen ( $\text{H}_2$ )        | 'pops' with a lighted splint      |
| oxygen ( $\text{O}_2$ )          | relights a glowing splint         |

## Flame tests for metal ions

| <i>metal ion</i>                | <i>flame colour</i> |
|---------------------------------|---------------------|
| lithium ( $\text{Li}^+$ )       | red                 |
| sodium ( $\text{Na}^+$ )        | yellow              |
| potassium ( $\text{K}^+$ )      | lilac               |
| copper(II) ( $\text{Cu}^{2+}$ ) | blue-green          |

Permission to reproduce items where third-party owned material protected by copyright is included has been sought and cleared where possible. Every reasonable effort has been made by the publisher (UCLES) to trace copyright holders, but if any items requiring clearance have unwittingly been included, the publisher will be pleased to make amends at the earliest possible opportunity.

To avoid the issue of disclosure of answer-related information to candidates, all copyright acknowledgements are reproduced online in the Cambridge Assessment International Education Copyright Acknowledgements Booklet. This is produced for each series of examinations and is freely available to download at [www.cambridgeinternational.org](http://www.cambridgeinternational.org) after the live examination series.

Cambridge Assessment International Education is part of the Cambridge Assessment Group. Cambridge Assessment is the brand name of the University of Cambridge Local Examinations Syndicate (UCLES), which itself is a department of the University of Cambridge.